

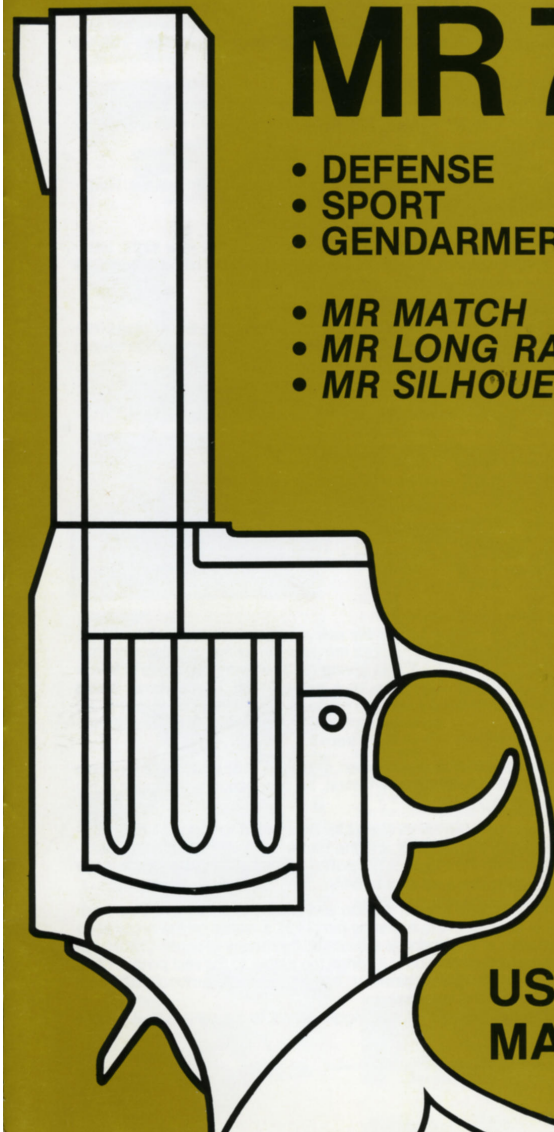
GROUPE  
MATRA



# MR 73

- DEFENSE
- SPORT
- GENDARMERIE

- *MR MATCH*
- *MR LONG RANGE*
- *MR SILHOUETTE*



USER'S  
MANUAL

## General

### "MR 73 DEFENSE and POLICE" Model

A typical rugged and powerful defense revolver. Choice materials combined with manufacturing methods and top finish as well as endurance testing have involved intensive research and stringent development. This handgun has been designed specifically for all defense jobs. Sloping fronsight, fast grip, good general balance, adjustable trigger weight, automatic internal safety device.

### "MR 73 SPORT" Model

For the most demanding sportsmen: stability, shortest possible hammer cocking travel, micro-metric rear sight, pure and clean cut trigger release, adjustable trigger weight with adjustable back lash and a large trigger shoe.

### "MR 73 GENDARMERIE" Model

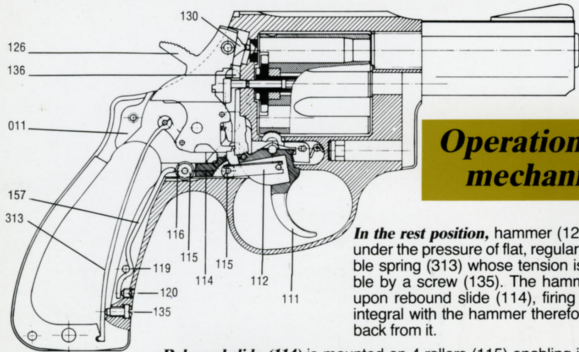
Defense handgun with adjustable sighting parts, designed for easy draw from holster. Reduced blade with rounded edges, sloping sport fronsight.

### "MR MATCH" Model

To meet the needs of top sharpshooters: stability, elongated and extralow rear sight, interchangeable sighting notches and fronsights, shortened free flight, balanced rifling, adjustable counterweight, adjustable trigger release weight, trigger with anti back lash.

### "MR LONG RANGE" and "MR SILHOUETTE" Models

Specifically designed for long range shooting. These avant garde weapons are in close harmony with specifications applying to firing at "metallic silhouettes" and for "long range" shots according to the international regulations of the IHMSA\* and IHLRA\*\*.



## Operation of mechanism

**In the rest position**, hammer (126) comes under the pressure of flat, regular and flexible spring (313) whose tension is adjustable by a screw (135). The hammer bears upon rebound slide (114), firing pin (130) integral with the hammer therefore stands back from it.

**Rebound slide (114)** is mounted on 4 rollers (115) enabling it to move along frame (011) without any friction. Its connection with trigger (111) is by connecting rod (112).

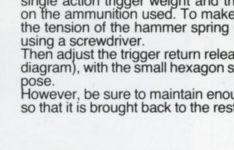
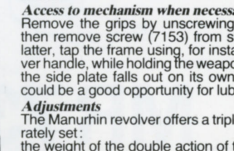
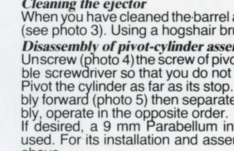
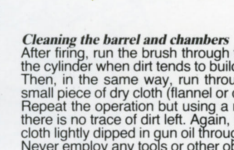
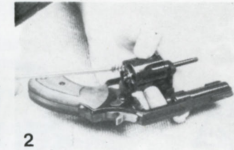
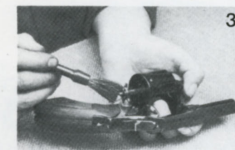
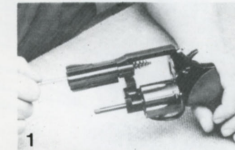
**Internal automatic safety device (136)** connected to slide (114) is interposed between the hammer and the frame thus preventing the possibility of firing when the trigger is not pulled, for instance in the event of the weapon's being dropped accidentally.

**The flat release return spring (157)** whose shape, section and characteristics have been reached through extensive study, is hinged on the frame by pin (119). It works on the recoil slide through roller (116). The pre-tension of this spring is adjustable by means of screw (120) bearing on the frames. This spring has a dual purpose: it brings the trigger to the rest position and moves the hammer and firing pin to the safety position. It must therefore embody sufficient force to overcome that of the spring of the hammer. With a Manurhin handgun the force needed on the trigger tends to be constant. It is also adjustable.

\*International Handgun Silhouette Association — \*\*International Long Range Association.

## Maintenance - Disassembly and adjustments

You are now the owner of a Manurhin handgun. It is a rugged, dependable weapon, crafted to last. Although it needs no really special care, it is nevertheless necessary to devote a little time to accomplishing routine maintenance, in particular of the barrel and the chambers of the cylinder as these are the places where oxidation is most likely to occur, particularly for certain types of ammunition.



### Cleaning the barrel and chambers

After firing, run the brush through the barrel and the chambers of the cylinder when dirt tends to build up (photos 1 and 2). Then, in the same way, run through the washer covered with a small piece of dry cloth (flannel or cotton). Repeat the operation but using a new clean cloth each time until there is no trace of dirt left. Again, using the washer, pass a clean cloth lightly dipped in gun oil through the barrel and chambers. Never employ any tools or other objects likely to cause scoring.

### Cleaning the ejector

When you have cleaned the barrel and cylinder, remove the ejector (see photo 3). Using a hogshair brush, lubricate with gun oil.

### Disassembly of pivot-cylinder assembly

Unscrew (photo 4) the screw of pivot (079) taking care to use a suitable screwdriver so that you do not score or damage the handgun. Pivot the cylinder as far as its stop. Push the cylinder-pivot assembly forward (photo 5) then separate cylinder and pivot. For assembly, operate in the opposite order.

If desired, a 9 mm Parabellum interchangeable cylinder can be used. For its installation and assembly, follow the steps described above.

### Access to mechanism when necessary

Remove the grips by unscrewing center screw (184). Unscrew then remove screw (7153) from side plate (025). To release the latter, tap the frame using, for instance, a (non-metallic) screwdriver handle, while holding the weapon slightly inclined (photo 6) until the side plate falls out on its own. This disassembly, if needed, could be a good opportunity for lubricating the mechanism.

### Adjustments

The Manurhin revolver offers a triple adjustment designed to accurately set:

the weight of the double action of the trigger, "fine" adjustment of single action trigger weight and the percussion force, depending on the ammunition used. To make these adjustments, first adjust the tension of the hammer spring (spring no. 120 in the diagram) using a screwdriver. Then adjust the trigger return release spring (spring no. 120 of the diagram), with the small hexagon screwdriver provided for the purpose.

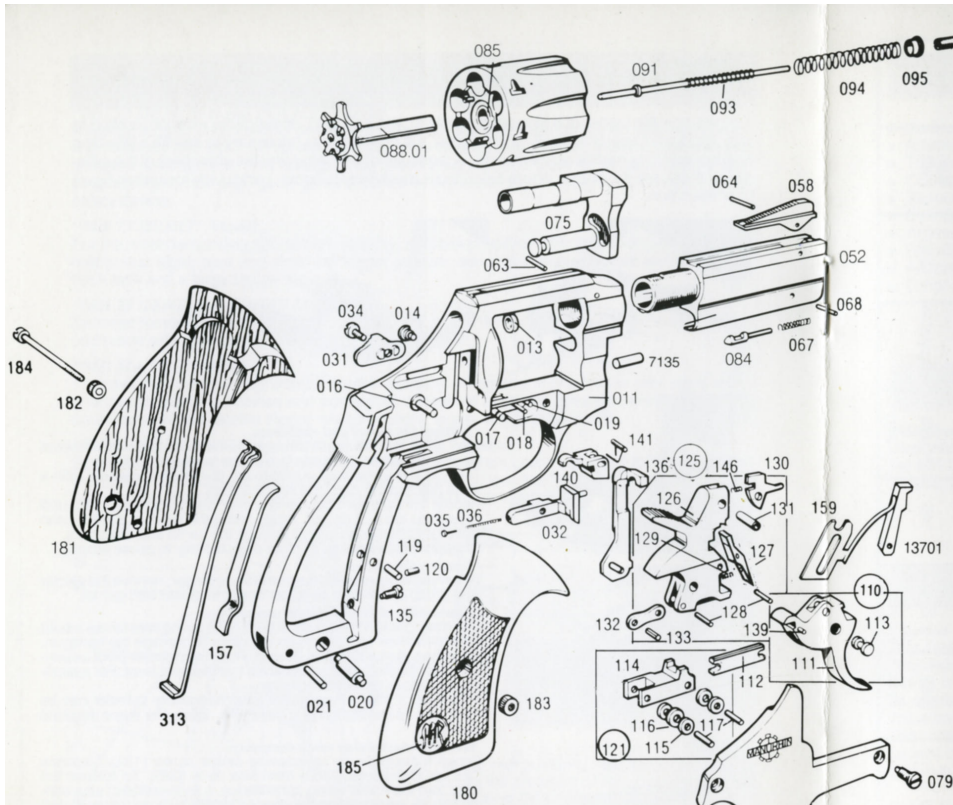
However, be sure to maintain enough tension on the return spring so that it is brought back to the rest position correctly.

### Loading

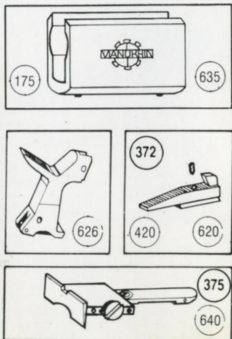
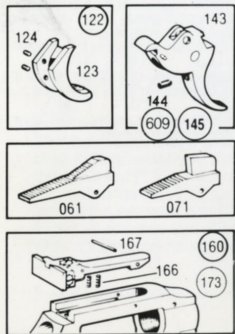


### Unloading





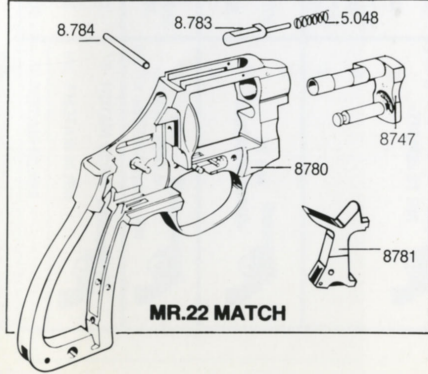
# MR 73



## MR 73 - .357/38 Def. Sport and Gendarmerie

- 011 «Defense» frame
- 612 «Sport» and «Match» frame
- 013 Recoil plate
- 014 Cylinder rear stop
- 7.135 Cylinder pivot stop
- 016 Hammer pin
- 017 Trigger pin
- 018 Cylinder latch pin
- 019 Cylinder latch spring pin
- 020 Grip panel dowel
- 021 Pin for lanyard
- 107 Side plate
- 7.153 Side plate screw
- 031 Head of cylinder release button
- 032 Cylinder release button
- 034 Cylinder release button screw
- 035 Cylinder release spring plunger
- 036 Cylinder release spring
- 051 2" <sup>1</sup>/<sub>2</sub> barrel cal. .357 Mag
- 052 3" barrel cal. .357 Mag
- 053 4" barrel cal. .357 Mag
- 054 6" barrel cal. .357 Mag
- 070 5" <sup>1</sup>/<sub>4</sub> barrel cal. .357 Mag
- 073 8" barrel cal. .357 Mag
- 058 3" - 4" - def. fronsight
- 061 «Gendarmerie» Sport - sloped fronsight
- 063 Barrel attaching pin
- 064 Fronsight attaching pin
- 084 Front latch
- 067 Front latch spring
- 068 Front latch stopping pin
- 071 «Sport» fronsight
- 075 Cylinder pivot
- 079 Pivot stop screw
- 085 .357 Mag/38 Sp. cylinder
- 087 Ejector locators
- 088 01 .357 Mag/38 Sp. ejector
- 089 3" - 8" ejector rod
- 090 2" <sup>1</sup>/<sub>2</sub> ejector rod
- 091 3" to 8" cylinder pin rod
- 092 2" <sup>1</sup>/<sub>2</sub> cylinder pin rod
- 093 Cylinder pin rod spring
- 094 Ejector spring

- 095 Ejector spring bearing washer
- 110 Def. trigger assy
- 111 Trigger
- 112 Recoil slide connecting rod
- 113 Slide connecting rod pin
- 114 Recoil slide
- 115 Recoil slide rollers
- 116 Trigger spring roller
- 117 Pin for slide and safety roller
- 119 Trigger return spring pin
- 120 Trigger return spring adjusting screw
- 121 Recoil slide assembly
- 125 Hammer assy\*
- 126 Spur hammer\*
- 127 Sear\*
- 128 Sear and hammer spring rod pin\*
- 129 Sear spring\*
- 130 Oscillating firing pin
- 131 Firing pin axis
- 132 Hammer spring rod
- 133 Hammer spring pin
- 135 Hammer spring adjusting screw
- 136 Internal safety
- 137.01 Cylinder lever
- 139 Cylinder lever pin
- 140 Cylinder latch
- 141 Cylinder latch spring
- 143 «Sport» trigger
- 144 «Sport» and «Match» trigger stop screw
- 145 «Sport» trigger assy
- 146 Firing pin spring
- 157 Trigger return spring
- 159 Cylinder lever spring
- 160 «Sport» adjustable rear sight
- 166 Adjustable rear sight spring
- 167 Adjustable rear sight pin
- 173 «Gendarmerie» adjustable rear sight
- 179 Standard grip assy
- 180 Right hand grip
- 181 Left hand grip
- 182 Grip ferrule
- 183 Grip nut
- 184 Grip screw
- 185 Medaillon
- 233 Set of «sport» and «gendarmerie» grips
- 313 Hammer spring.



## MR.22 MATCH

- 874
  - 873
  - 5.048
  - 878
  - 877
  - 8780
  - 8781
- MR .32 Match**
- 616 .32 Match barrel
  - 620 Match fronsight with screw
  - 617 Front latch stopping pin for (406, 616, 371 and 393)
  - 626 «Match» .32 and .38 hammer
  - 628 Match trigger
  - 609 Match trigger assy
  - 630 Match .32 cylinder
  - 471.01 Ejector .32
  - 640 «Match adjustable rear sight for .32 and .38
- MR .38 Match**
- 406 Match .38 barrel
  - 411 Match .38 cylinder
  - 420 Match .fronsight with screw
- MR Long Range**
- 371 9" Long Range barrel

393 10" <sup>34</sup> Silhouette barrel  
372 Match fronsight with screw,  
9" and 10" <sup>34</sup> (L: 2.5)  
375 Adjustable rear sight for 9" and 10" <sup>34</sup>

**MR 73 cal. 9 mm Para**

305.01 Cylinder + ejector assy  
301 9 mm Para cylinder  
306.01 Ejector equipped for 9 mm Para  
309 Ejection springs  
5.035 Ejector locators

**MR .22 Match**

8.780 Frame  
8.711 side plate  
8.747 Cylinder pivot  
8.750 Cylinder  
8.751 Ejector  
8.781 S.A. hammer  
8.783 Firing pin  
5.048 Spring  
8.784 Firing pin axis  
8.739 Cylinder release button  
8.786 Barrel  
8.787 Foresight

**Options:**

122 Trigger shoe assy  
123 Trigger shoe  
124 Trigger shoe screw  
175 Couterweight for 5 "14 and 6" "Sport-standard"  
635 Counterweight for (406, 616 and 8786)  
219 Cylinder loader  
187 Small grips  
179 Standard grips  
233 Sport and Gendarmerie grips  
264 Super Sport grips  
271 "T81 NS" rubber grips  
236 Rough anatomic grips  
681 Finished anatomic grips 85  
682 Finished anatomic grips 90  
683 Finished anatomic grips 95  
627 Double action Match hammer with trigger 143  
435 9" and 10" <sup>34</sup> fronsight (L:3)  
436 9" and 10" <sup>34</sup> fronsight (L: 2)  
615 .32 Match fronsight (L: 4)  
419 .38 Match fronsight (L: 4)

**Spare parts for: rear sight**

**Sport and Silhouette**

647 Anchor for vertical adjuster screw  
652 Rear sight screw






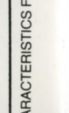
**Match**

643 Rear sights notches (3)

**Silhouette**

376 Rear sights notches (3)

\*Parts for double action

Models	Caliber	Interchangeable cylinder	Weight unloaded in gr.	Overall length in mm	Barrel length in mm	Filling pitch in mm	Sight	Line of sight length in mm	Single action trigger weight in g	Double action trigger weight in g
 MR 73 «DEFENSE» ET «POLICE»	2" 1/2	9 mm Para.	880	195	63	400	Fixe	100	Maxi 2800	Maxi 4900
	3"		890	205	76	400		115	Maxi 4900	
	4"		950	233	102	400		140	Maxi 4900	
 MR 73 «SPORT»	4"	9 mm Para.	970	233	102	400	Adjustable	142	Mini 1360	Maxi 4900
	5" 1/4	9 mm Para.	1050	264	133	400		174		
	5" 1/4	.32 Lg	1050	264	133	480		174		
	6"	.32 Lg	1070	283	152	480		193		
	6"	.38 Sp	1070	283	152	400		193		
	8"	.38 Sp	1170	334	203	400		250		
 MR 73 «GENDARMERIES»	3"	9 mm Para.	CHARACTERISTICS IDENTICAL TO THOSE OF SPORT MODEL WITH REDUCED BLADE NARROW ELEVATION WITH ROUNDED EDGES AND SLOPING SPORT FRONTSIGHT							
	8"	.38 Sp								
 MR «LONG RANGE» MR «SILHOUETTE»	9"		1300	360	229	476	Adjustable	293	Mini 1360	—
	10" 3/4		1428	404	273	476		337	—	
 MR.32 MATCH MR.38 MATCH	6"		1080	275	152	480	Adjustable	209	Mini 1360	—
	5" 3/4		1080	276	146	476		210	—	
 MR.22 MATCH	6"		1115	276	152	400				

CHARACTERISTICS FOR INFORMATION ONLY

## Main accessories

- Various grip models
- Adaptable rough finish anatomic grip
- Trigger shoe
- Counterweight
- Various holsters and carriers
- Cylinder loader
- Ammunition cases
- Standard cases, luxury (wood) and prestige
- Attaché case
- Other accessories on option

## Option (for models "MR 73 Defense", "MR 73 Gendarmerie" and "MR73 Sports")

### Interchangeable cylinder for 9 mm Parabellum ammunition

Designed and patented by Manurhin, this simultaneous ejector cylinder also permits firing with the MR 73 .357 Magnum of 9 mm Parabellum ammunition. It takes only fifteen seconds or so for adaptation to the gun (see paragraph "Disassembly of pivot-cylinder assembly").

## Guarantee nullifying clause

### Caution

This firearm has been tested with test ammunition conforming to the standards of International Regulations governed by the CIP. This ammunition was supplied by the Banc d'Eprouve Officiel for firearms at Saint Etienne (France).

Its operation and strength are ensured to the full when standard ammunition conforming to industrial definition and manufacturing standards is used.

The manufacturer cannot be held responsible in any way for material, bodily or other damage, caused by this weapon in the event of defective, non-standard ammunition, charged or recharged in any manner other than industrially, is used.

(C.I.P. Permanent International Commission ruling over the testing of portable weapons).

### Personal notes